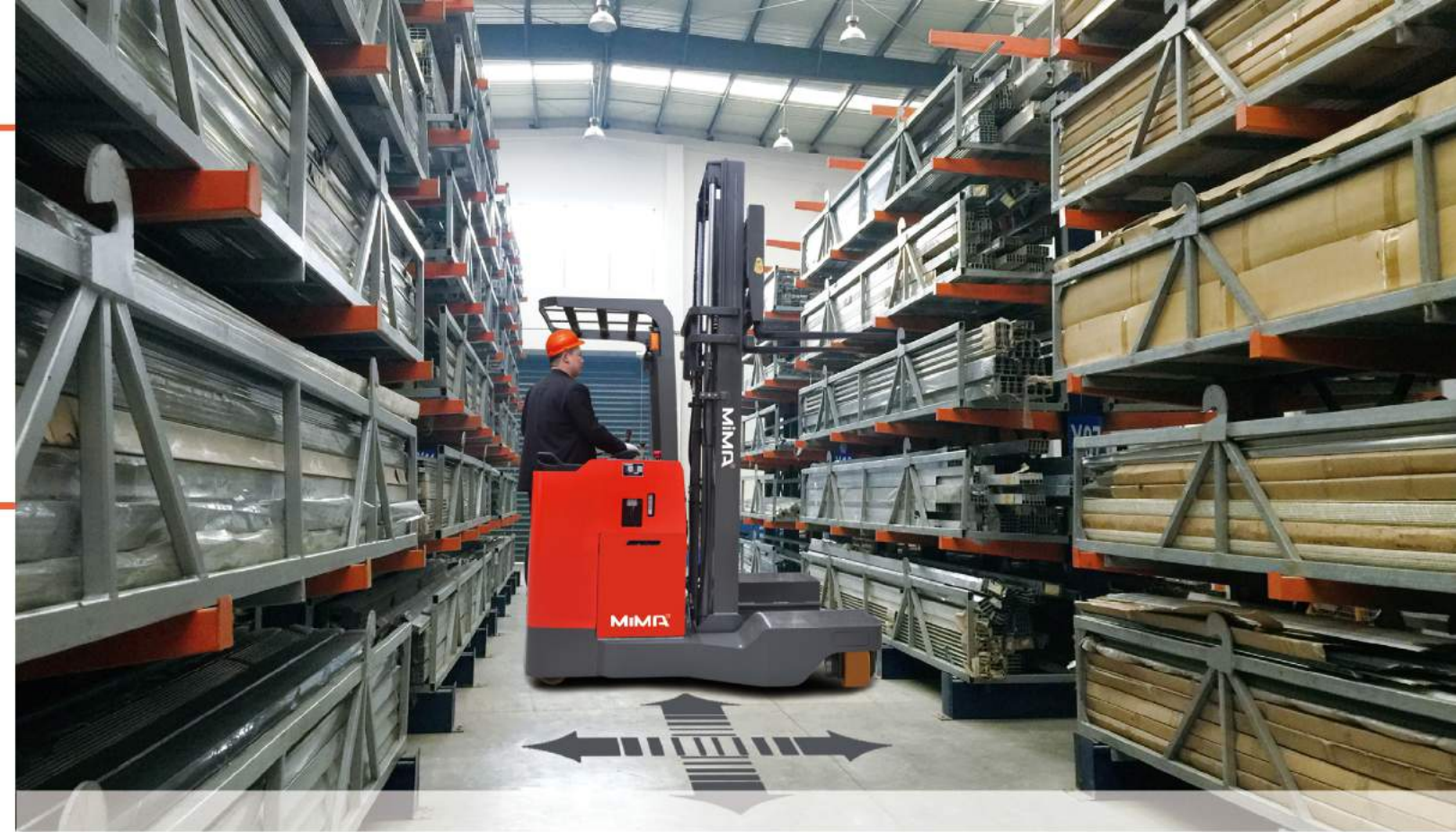


MiMA® Series products



Standard Configuration

- Curtis Controller
- AC Driving System
- Electromagnetic Brake
- Solid PU Wheel
- Side Pull Battery
- Drive Wheel Position Display
- High Capacity Battery
- Intelligent Charger
- Shock-absorption Cushion

Optional

- Camera
- Imported Battery
- Wider Fork Frame (4 Forks)

4-DIRECTIONAL REACH FORKLIFT TRUCK

- ◉ TFB Series, Load Capacity: 1500–2500kg
- ◉ Lift Height: 3000–7200mm
- For Long Material Handling Solution
- 4-Directional Travel, One Button Switch
- Adjustable Function For Side Travel

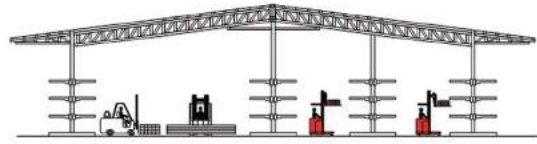
 **NAMI**® PT DYNAMI MAKMUR LESTARI
<http://www.nami.co.id>

Office:
Jl. Petojo Utara VII No. 13C
Jakarta 10130
INDONESIA
T: +62-21-631 7818 (Hunting)
F: +62-21-631 7819

Workshop and Warehouse:
Jl. Raya Bekasi Km 23 No. 62
Cakung, Jakarta 13950
INDONESIA
T: +62-21-4682 1608 (Hunting)
F: +62-21-4682 1049

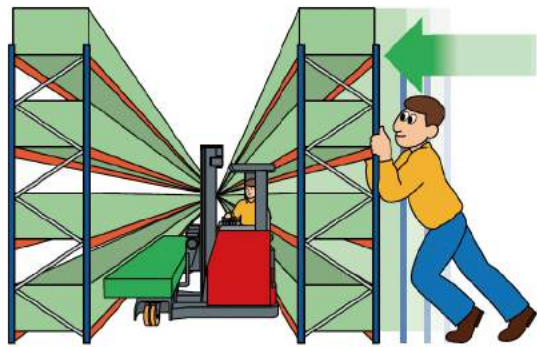
MiMA®

VALUE (Based On High Efficient Design Concept)



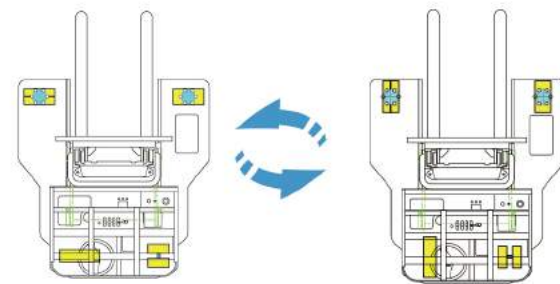
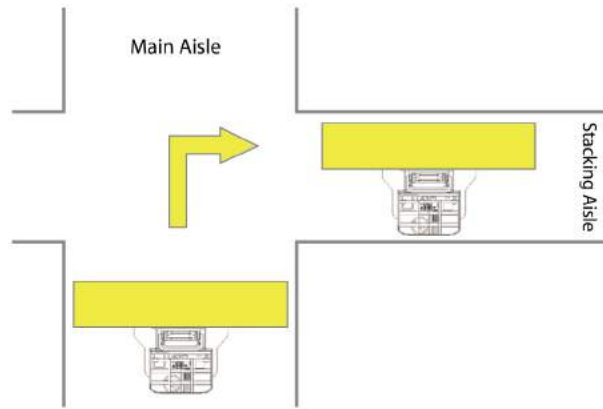
Long material handling:

the TFB model can solve the handling requirements effectively for long material (length reach to 10m) in narrow aisle by 4-directional travel mode, highly increase storage capacity.



4-Directional travel mode:

with forward/backward travel modes and left/right side travel modes, easy to switch, with simple operation and high efficiency; with real-time high definition display to show the drive wheel' position.



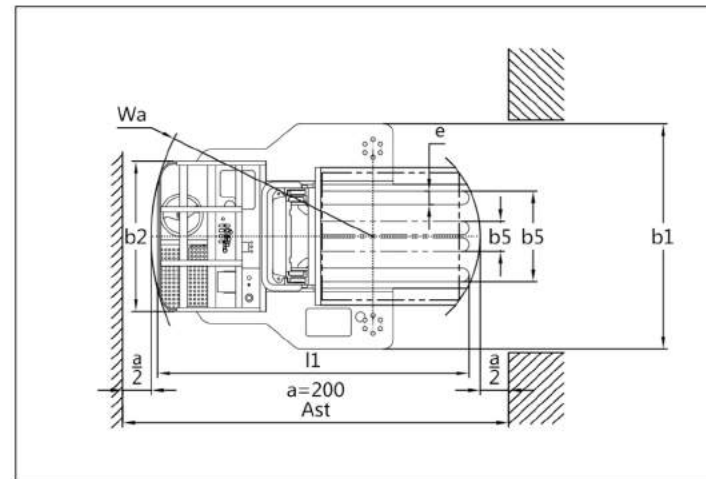
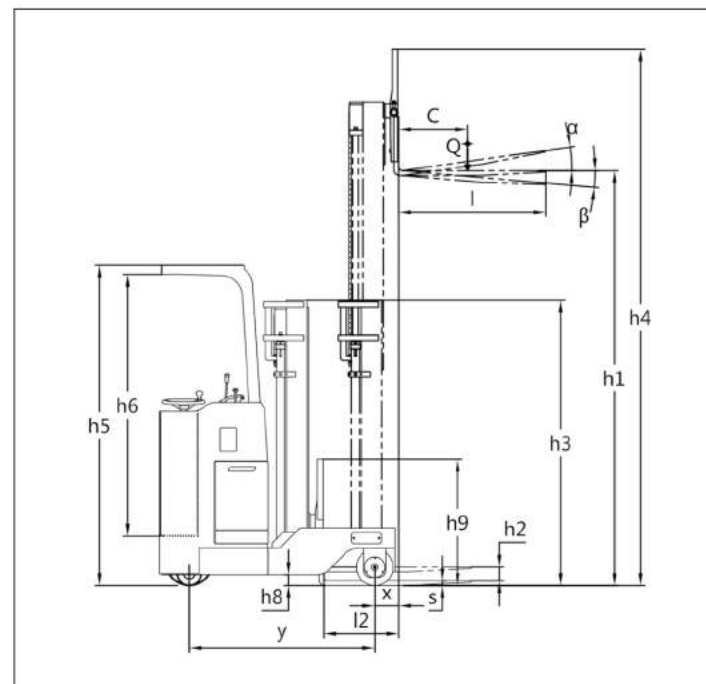
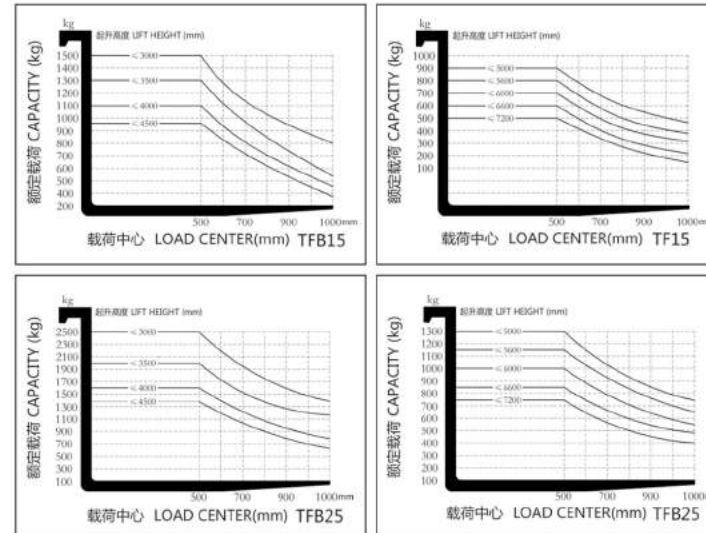
Direction adjustment when side travel,

it's perfect to solve the problem of snaking,easy to adjust the equipment' direction.

Duplex Mast		TFB15				TFB25			
Model		TFB15-30	TFB15-35	TFB15-40	TFB15-45	TFB25-30	TFB25-35	TFB25-40	TFB25-45
Lift height	h1(mm)	3000	3500	4000	4500	3000	3500	4000	4500
Height Mast Lowered	h3(mm)	2080	2330	2580	2830	2085	2335	2585	2835
Height-Mast extended w/ backrest	h4(mm)	3920	4420	4920	5420	3920	4420	4920	5420
Free lift height	h2(mm)	100	100	100	100	100	100	100	100
Triplex full free mast		TFB15 & TFB25							
Model		TFB15-45	TFB15-50	TFB15-55	TFB15-60	TFB15-65	TFB15-70	TFB15-72	
Lift height	h1(mm)	4500	5000	5500	6000	6500	7000	7200	
Height-Mast Lowered	h3(mm)	2179	2344	2514	2679	2844	3014	3084	
Height-Mast extended w/ backrest	h4(mm)	5420	5920	6420	6920	7420	7920	8120	
Free lift height	h2(mm)	1540	1740	1900	2090	2305	2525	2600	

Remark: 1)All above mast can configured with wide fork frame based on the size of goods;

LOAD CHART



MiMA PRODUCT SPECIFICATION

Performance				
1.1	Brand	MiMA		
1.2	Model	TFB15	TFB25	
1.3	Power Type	Battery		
1.4	Operation Type	Stand on		
1.5	Rated Capacity	Q(kg)	1500	2500
1.6	Load Center	C(mm)	500	500

Weight				
2.1	Service weight(incl. battery)	kg	2800	3800
2.2	(±5%)Battery weight	kg	486	650

Tyre				
3.1	Tyres,front/rear	PU		
3.2	Left front,tyre size,Double	mm	φ267×65	φ267×65
3.3	Right front tyre size,single	mm	φ267×135	φ267×135
3.4	Rear drive tyre size,single	mm	φ343×108	φ380×165
3.5	Rear balance tyre size,double		φ180×76	φ204×76

Dimension				
4.1	Tilt of fork forward/backward	α/β(°)	3/5	
4.2	Lift height	h1(mm)	3000	
4.3	Height-Mast Lowered	h3(mm)	2080	2085
4.4	Height-Mast extended w/ backrest	h4(mm)	3920	3920
4.5	Height-Overhead guard	h5(mm)	2335	2320
4.6	Height-From pedal to overhead guard	h6(mm)	1908	1870
4.7	Pedal Height	h7(mm)	360	370
4.8	Min. ground clearance	h8(mm)	80	80
4.9	Height of backrest	h9(mm)	920	920
4.10	Height of left/right leg	h10(mm)	420	420
4.11	Overall Length (incl. fork)	l1(mm)	2266	2490
4.12	Reach Stroke	l2(mm)	545	710
4.13	Overall Width	b1(mm)	1640	1800
4.14	Fork Dimensions	l/e/s(mm)	1070×100×35	1070×100×45
4.15	Distance between fork-arms	b5(mm)	220~662	247~780
4.16	Turning radius	Wa(mm)	1613	1996
4.17	Aisle with for side travel(1000*1000mm pallet)	Axt(mm)	2617	2881

Function				
5.1	Travel Speed ,laden/unladen	km/h	7.5/8.5	7.8/9.0
5.2	Lift Speed ,laden/unladen	mm/s	110/200	110/200
5.3	Max. Gradeability-Straight travel,laden/unladen	%(tanθ)	≤10	≤10
5.4	Max. Gradeability-side travel,laden/unladen	%(tanθ)	≤5	≤5
5.5	Display of drive wheels' position		LCD Display	
5.6	Brake Type		Electromagnetic	

Power				
6.1	Type of Drive Motor		AC	
6.2	(S2-60min)Drive Motor	kw	5.5	
6.3	Type of Lift motor		DC	
6.4	(S3-15%)Lift motor	kw	6.3	7.5
6.5	Battery voltage/capacity	V/Ah	48/300	48/400

Other			
7.1	Battery replacement mode		Slide changing