



R Series

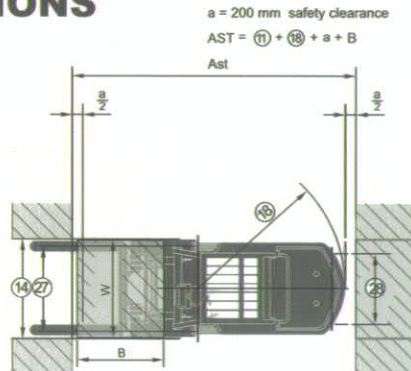
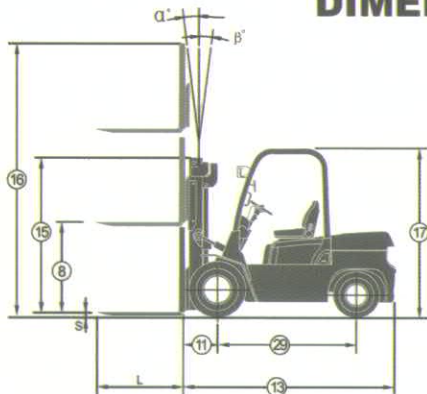
**1.5 / 2.5 / 3.5 / 5.0 / 7.0 / 10.0 T
Diesel Four Wheel Forklift**



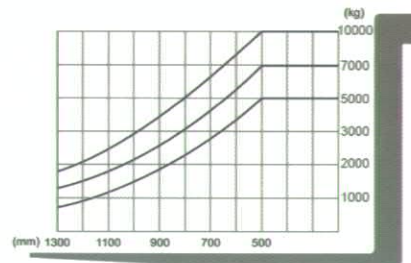
R Series 1.5 - 10.0 Diesel Four Wheel Forklift Specification

		CHINA		CHINA		CHINA		CHINA	CHINA	CHINA	
		CPCD15N		CPCD25N		CPCD35N		CPCD50	CPCD70	CPCD100	
		RW 10	RW 32	RW 10	RW 32	RW 13	RW 33	RW 14	RW 14	RW 14	
1	Country of Origin	CHINA									
2	Basic model	CPCD15N									
3	Type	RW 10	RW 32	RW 10	RW 32	RW 13	RW 33	RW 14	RW 14	RW 14	
4	Power type	Diesel									
5	Rated capacity	Kg		2500		3500		5000		7000	
6	Load center	mm		500		500		600		600	
7	Lift height	mm		3000		3000		3000		3000	
8	Free lift height	mm		155		155		160		165	
9	Fork size (L X W X T)	mm		920 X 100 X 35		1070 X 122 X 40		1070 X 122 X 50		1200 X 150 X 60	
10	Mast tilt range	deg		6 / 12		6 / 12		6 / 12		6 / 12	
11	Fork overhang (Wheel center to fork face)	mm		405		475		485		596.5	
12	Rear overhang	mm		460		480		555			
13	Overall dimensions	Length to face of fork	mm	2265	2805	2800	3475	3475	4235		
14		Overall Width	mm	1080	1155	1225	1990	1990	2165		
15		Mast lowered height	mm	1995	1985	2160	2500	2500	2850		
16		Mast extended height	mm	3960	4045	4140	4420	4420	4510		
17		Overhead guard height	mm	2110	2120	2170	2340	2340	2540		
18	Turning Radius (Outside)	mm		1970		2235		2175		3180	
19	Min right angle stacking aisle width (Add load length and clearance)	mm		2375		2710		2650		2900	
20	Speed	Travel (No load)	Km / h	14.5	20.5	20	18.5	18	0 - 26	0 - 24	0 - 26
21		Lifting (Full load)	mm / sec	510	480	580	360	460	405	360	326
22		Lowering (Full load)	mm / sec	450		500		500			
23	Max. Drawbar Pull (Full load)	N		20500		17000		14500		24600	
24	Max. Gradeability (Full load)	%		20		15		20		20	
25	Tyres	Front	mm	6.50 - 10 - 10PR		7.00 - 12 - 12PR		28 X 9-15-12PR		8.25-15-14PR	
26		Rear	mm	5.00 - 8 - 10PR		6.00 - 9 - 10PR		6.50-10-10PR		8.25-15-14PR	
27 / 28	Tread	Front / Rear	mm	890 / 900		965 / 970.5		1005 / 973.5		1489 / 1460	
29	Wheelbase	mm		1400		1650		1760		2250	
30	Ground	Lowest		115		105		130		170	
31	Clearance	Wheelbase center		145		150		175		250	
32	Self weight	Kg		2740		3765		3440		4555	
33	Weight	Full load - Front/Rear		3690 / 550		5530 / 735		4815 / 625		7195 / 860	
34	Distribution	No load - Front/Rear		1220 / 1520		1560 / 2205		1840 / 1800		1890 / 2665	
35	Battery	Voltage/Capacity(20 HR)		12 / 60		12 / 100		12 / 100		2 X 12 / 90	
36	Engine	Model		C240PKJ - 30	4TNE92-HRJ	C240PKJ - 30	4TNE92-HRJ	4JG2 PE-01	4TNE98-BQFLC	6BG1QP	6BG1QP
37		Manufacturer	V / AH	ISUZU	YANMAR	ISUZU	YANMAR	ISUZU	YANMAR	ISUZU	ISUZU
38		Rated output/r.p.m	kw	34.5 / 2500	32.8 / 2450	34.5 / 2500	32.8 / 2450	44.9 / 2450	44.3 / 2300	84.6 / 2200	84.6 / 2200
39		Rated torque/r.p.m	N . M	137.7 / 1800	149.4 / 1600	137.7 / 1800	149.4 / 1600	184.7 / 1800	206 / 1700	411 / 1400-1600	411 / 1400-1600
40		No. of cylinder		4	4	4	4	4	4	6	6
41		Bore X Stroke	mm	86 X 102	92 X 100	86 X 102	92 X 100	95.4 X 107	98 X 100	105 / 125	105 / 125
42		Emission STD.		Stage IIIA	Stage IIIA/Tier4	Stage IIIA	Stage IIIA/Tier4	Stage II	Stage III A/Tier3		
43		Displacement	cc	2369	2659	2369	2659	3059	3319	6494	6494
44		Fuel tank capacity	L	50	50	60	60	70	60	120	120
45		Manufacturer	CHINA								
46	Transmissions	Type	Powershift								
47		Stage - FWD / RVS	1 / 1		1 / 1		2 / 2		2 / 2		2 / 2
48	Operating pressure / For attachments	Mpa		14.5		17.5		17.5		19	

DIMENSIONS



LOAD CHART



PT. DYNAMIKI MAKMUR LESTARI

OFFICE:
 Petojo Utara VII No. 13C
 Jakarta 10130, INDONESIA
 Tel: +62-21 631 7818 (Hunting)
 Fax: +62-21 631 7819
 E-mail: sales@dynamiki.co.id
 http://www.nami.co.id

WAREHOUSE AND WORKSHOP:
 Raya Bekasi Km 23 No. 62, Cakung
 Jakarta 13950, INDONESIA
 Tel: +62-21 4682 1608
 +62-21 4616 519
 Fax: +62-21 4682 1049
 Hotline: +62-21 3666 6554
 E-mail: technician@nami.co.id