



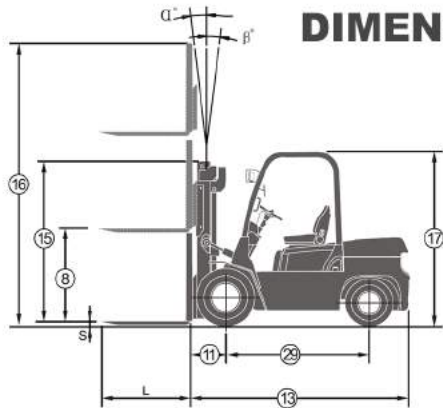
**R Series**

**1.5 / 2.5 / 3.5 / 5.0 / 7.0 / 10.0 T  
Diesel Four Wheel Forklift**

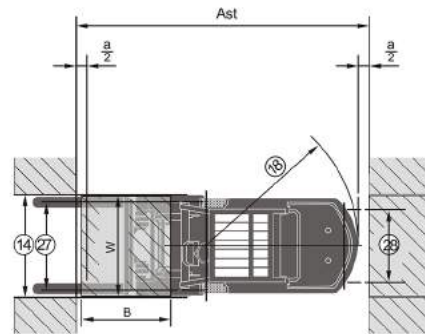


# R Series 1.5 - 10.0 Diesel Four Wheel Forklift Specification

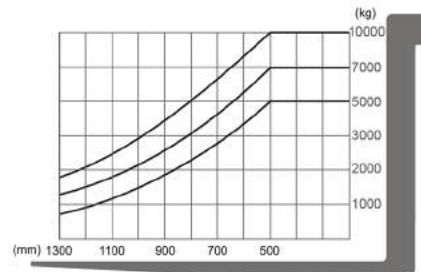
		CPCD15N		CPCD25N		CPCD35N		CPCD50	CPCD70	CPCD100												
		RW 10	RW 32	RW 10	RW 32	RW 13	RW 33	RW 14	RW 14	RW 14												
General	1 Basic model																					
	2 Type																					
	3 Power type		Diesel		Diesel		Diesel		Diesel													
Characteristics & Dimensions	4 Rated capacity	Kg	1500		2500		3500		5000		7000		10000									
	5 Load center	mm	500		500		500		600		600		600									
	6 Lift height	mm	3000		3000		3000		3000		3000		3000									
	7 Free lift height	mm	155		150		155		160		165		200									
	8 Fork size (L X W X T)	mm	920 X 100 X 35		1070 X 122 X 40		1070 X 140 X 45		1200 X 150 X 60		1200 X 150 X 65		1500 X 160 X 80									
	9 Mast tilt range	F / R deg	6 / 12		6/12		6 / 12		6 / 12		6 / 12		6 / 12									
	10 Fork overhang (Wheel center to fork face)	mm	405		475		485		595.5		605		730									
	11 Rear overhang	mm	460		460		555															
	Overall dimensions	12 Length to face of fork	mm	2265		2605		2800		3475		3475		4235								
		13 Overall Width	mm	1080		1155		1225		1990		1990		2185								
		14 Mast lowered height	mm	1995		1985		2160		2500		2500		2850								
		15 Mast extended height	mm	3980		4045		4140		4420		4420		4510								
		16 Overhead guard height	mm	2110		2140(2200*)		2150		2340		2340		2540								
	17 Turning Radius (Outside)	mm	1970		2235		2175		2415		3160		3200	4050								
	18 Min right angle stacking aisle width (Add load length and clearance)	mm	2357		2710		2650		2900		3770		3695	6480								
	Performance	19 Speed	Travel (No load)	Km / h	14.5		20.5		20		18.5		18		0 - 26		0 - 24		0 - 26			
		20	Lifting (Full load)	mm / sec	510		480		580		360		460		405		360		326			
			21	Lowering (Full load)	mm / sec	450		500		500		500										
22		Max. Drawbar Pull (Full load)	N	20500		17000		14500		24600		23600										
23		Max. Gradeability (Full load)	%	20		15		20		20		15		20		20		20				
Chassis	24 Tyres	Front	mm	6.50 - 10 - 10PR		7.00 - 12 - 12PR		28 X 9-15-12PR		28 X 9-15-12PR		8.25-15-14PR		8.25-15-14PR		9.00-20-14PR						
		Rear	mm	5.00 - 8 - 10PR		6.00 - 9 - 10PR		6.50-10-10PR		6.50-10-10PR		8.25-15-14PR		8.25-15-14PR		9.00-20-14PR						
	26 Tread	Front	mm	890		965		1005		1005		1489		1489		1600						
		Rear	mm	900		970.5		973.5		973.5		1460		1460		1700						
	28	Wheelbase	mm	1400		1650		1760		1760		2250		2250		2800						
	29	Ground	Lowest	mm	115		105		130		130		170		170		250					
30	Clearance	Wheelbase center	mm	145		150		175		175												
Weight	31	Self weight	Kg	2740		3765		3440		4555		8000		9300		13000						
	32	Weight	Full load - Front/Rear	3690 / 550		5530 / 735		4815 / 625		7195 / 860		7195 / 860										
	33	Distribution	No load - Front/Rear	1220 / 1520		1660 / 2205		1640 / 1800		1890 / 2665		1890 / 2665										
Power & transmission	34	Battery	Voltage/Capacity(20 HR)	12 / 60		12 / 100		12 / 100		12 / 100		2 X 12 / 90		2 X 12 / 90		2 X 12 / 90						
	35	Model		C240PKJ - 30		4TNE92-HRJ		C240PKJ - 30		4TNE92-HRJ		4JG2 PE-01		4TNE98-BQFLC		6BG1QP		6BG1QP		6BG1QP		
				ISUZU		YANMAR		ISUZU		YANMAR		ISUZU		YANMAR		ISUZU		ISUZU		ISUZU		
				Rated output/r.p.m	kx	34.5 / 2500		32.8 / 2450		34.5 / 2500		32.8 / 2450		44.9 / 2450		44.3 / 2300		84.6 / 2200		84.6 / 2200		84.6 / 2200
				Rated torque/r.p.m	N . M	137.7 / 1800		149.4 / 1600		137.7 / 1800		149.4 / 1600		184.7 / 1800		208 / 1700		411 / 1400-1600		411 / 1400-1600		411 / 1400-1600
	39	Engine	No of cylinder		4		4		4		4		4		4		6		6		6	
			Bore X Stroke	mm	86 X 102		92 X 100		86 X 102		92 X 100		95.4 X 107		98 X 100		105 / 125		105 / 125		105 / 125	
			Emission STD		Stage IIIA		Stage IIIA/Tier4		Stage IIIA		Stage IIIA/Tier4		Stage II		Stage III A/Tier3							
			Displacement	cc	2369		2659		2369		2659		3059		3319		6484		6484		6484	
	43	Fuel tank capacity	L	50		50		60		70		60		120		120		120				
	44	Transmissions	Manufacturer		CHINA		CHINA		CHINA		CHINA		CHINA		CHINA		CHINA		CHINA			
			Type		Powershift		Powershift		Powershift		Powershift		Powershift		Powershift		Powershift		Powershift			
	46	Stage - FWD / RVS		1 / 1		1 / 1		1 / 1		1 / 1		2 / 2		2 / 2		2 / 2		2 / 2				
	47	Operating pressure / For attachments	Mpa	14.5		17.5		17.5		17.5		19		19		19		19.5				



## DIMENSIONS



## LOAD CHART



PT. DYNAMY MAKUR LESTARI

OFFICE:  
Petojo Utara VII No. 13C  
Jakarta 10130, INDONESIA  
Tel: +62-21 631 7818 (Hunting)  
Fax: +62-21 631 7819  
E-mail: sales@dynamy.co.id  
http://www.nami.co.id

WAREHOUSE AND WORKSHOP:  
Raya Bekasi Km 23 No. 62, Cakung  
Jakarta 13950, INDONESIA  
Tel: +62-21 4682 1608  
+62-21 4616 519  
Fax: +62-21 4682 1049  
Hotline: +62-21 3666 6554  
E-mail: technician@nami.co.id