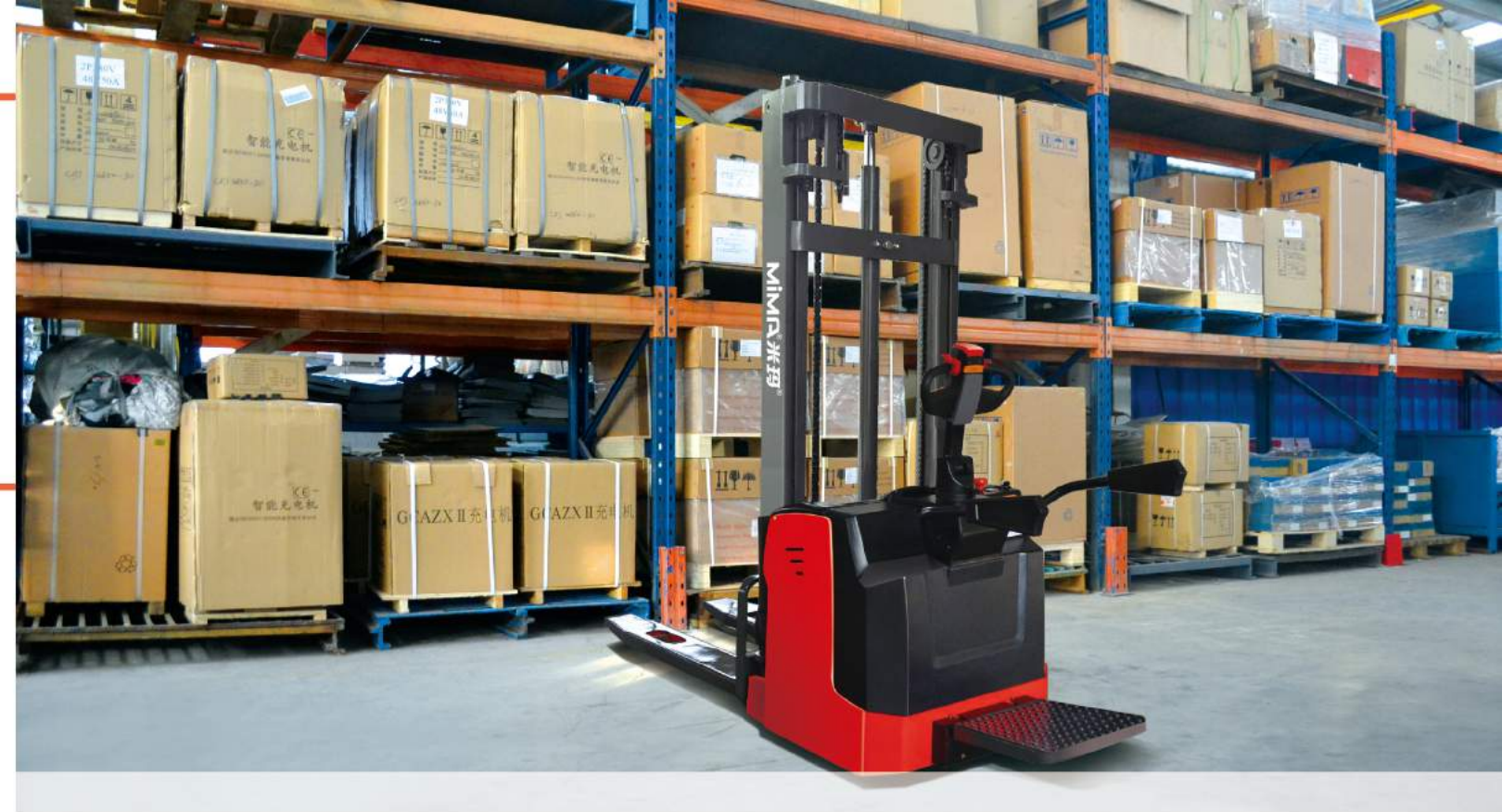


MIMA®米玛® 系列产品



**标配**  
Standard Configuration

- CURTIS控制器 CURTIS Controller
- AC驱动系统 AC Drive System
- 实芯PU轮 Solid Pu Wheel
- EPS电转向TB(M) EPS TB(M) Standard Configuration
- 转弯限速 Turning Speed Limited
- 起升电限位TB(M) Lifting Power Limit TB(M)
- 智能充电机 Intelligent Charger
- 侧拉式电池TB(M) Side Slide Battery

**选配**  
Optional

- 小时计 Hour meter
- 倒车蜂鸣器 Reverse Buzzer
- 报警灯 Alarm light
- TB(M)高配: 双缸+3KW起升电机+280AH电池 High Configuration: Double Cylinder+3KW Lifting Motor +280AH Battery
- 进口品牌电池 Foreign Brand Battery
- 双路电磁阀-三种下降速度 Double Circuit Electromagnetic Valve-3 kinds descending Speed
- 防爆型 Explosion-proof Use
- 冷库型 Cold Storage Use
- 无人驾驶型 AGV type

 **NAMI® PT DYNAMI MAKMUR LESTARI**  
<http://www.nami.co.id>

**Office:**  
Jl. Petojo Utara VII No. 13C  
Jakarta 10130  
INDONESIA  
T: +62-21-631 7818 (Hunting)  
F: +62-21-631 7819

**Workshop and Warehouse:**  
Jl. Raya Bekasi Km 23 No. 62  
Cakung, Jakarta 13950  
INDONESIA  
T: +62-21-4682 1608 (Hunting)  
F: +62-21-4682 1049

**ELECTRIC PALLET STACKER**  
**全电动托盘堆垛车**

- **TB(M)系列** TB(M) Series,  
1.0-2.0吨 Load capacity:1000-2000kg
- **起升高度** Lift Height:  
TB(M):1.6-5.5米 TB(M):1600-5500mm;
- **高安全性设计** High safety design
- **全新手柄设计** New handle design
- **EPS电转向** Electric Power Steering System

MIMA®米玛®

# 价值 (源于“高效作业”设计理念)

VALUE (Based On High Efficient Design Concept)

**全新手柄:**依据人机工程学原理,优化肚皮开关等关键零部件,依托于30万次的强化实验,让操作更加出色;



**高安全性TB(M):**货叉处于高位时,车辆会自动降低行驶速度,结合低重心车身,堆垛更安全、行驶更稳定;

**安全保护TB(M):**当护臂没有抬起时,行驶速度低于正常行驶速度,有效保护操作人员安全;转弯限速有效降低了转弯速度,防止倾翻的可能性;弯道自动减速功能,防止侧翻,操作更安全;

**立式驱动:**堆垛车专用变速箱,能远离灰尘、水气长期侵蚀,散热性好,可长时间工作;

**标配EPS电转向TB(M):**转向更加便捷,操作更加舒适;

Full new handle design: based on ergonomic principles, optimize belly switch and other key components, due to 300000 times strengthening test, making operation more excellent.



TB(M)

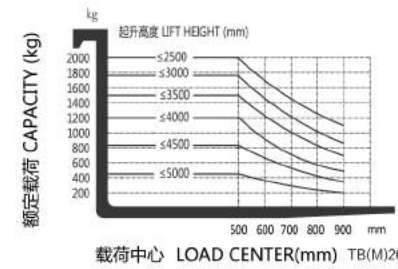
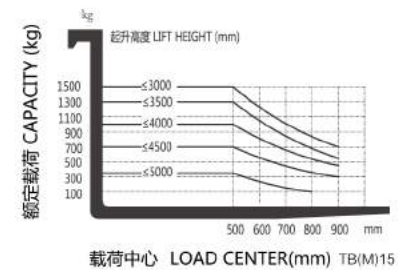
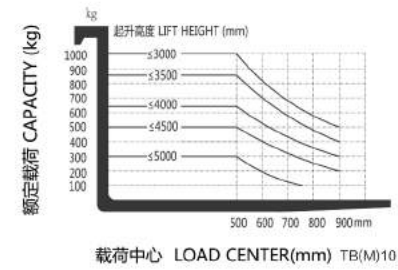
High Safety: Lower center gravity, more safe stacking; when forks are in the high position, vehicle speed automatically reduces, more safe and stable, TB(M).

Safety protection: TB(M): when armrest does not raise, travel speed is lower than normal speed, can effectively protect the safety of operator; turning speed effectively reduces steering speed, preventing the possibility of rollover; Curve automatically reduces speed function, preventing rollover, operation is more safe.

Vertical drive, special using gearbox for stacker, it can keep away from dust and steam, good heat dispersion, long time working.

EPS, standard configuration with EPS, steering is more conveniently and operation is more comfort TB(M).

# 载荷曲线图 LOAD CHART



# MIMA 米玛 产品信息表 PRODUCT SPECIFICATION

规格 Standard								
1.1	制造厂商 Manufacture	MIMA						
1.2	型号 Model	TB(M)1530	TB(M)2030	TB(M)1545	TB(M)2045	TB(M)1530	TB(M)2030	
1.3	动力类型 Power	蓄电池 Battery						
1.4	驾驶方式 Operation Type	站驾式 Stand On						
1.5	额定载荷 Rated Capacity	Q(kg)	1500	2000	1500	2000	1500	2000
1.6	载荷中心距 Load Center	C(mm)	500					

重量 Weight								
2.1	整车重量 (含电池) Service Weight (With Battery)	kg	1270	1300	1450	1550	1100	1115
2.2	电池重量 Battery Weight	kg	200	200	240	240	200	200

轮胎、轮毂 Tyre & Rim						
3.1	轮胎类型, 承重轮/驱动轮/辅助轮 Tyre, Operator/Load Side	mm	聚氨酯PU			
3.2	轮胎尺寸, 承重轮 Tyre Size, Load	mm	Φ80×70			
3.3	轮胎尺寸, 驱动轮 Tyre Size, Drive	mm	Φ230×75			

尺寸 Dimension						
4.1	门架类型 Mast Type		双缸双门架	双缸三门架	单缸双门架	
4.2	门架闭合高度 Height-Mast Lowered	h1(mm)	2025	2121	2025	
4.3	自由起升高度 Free Lift Height	h2(mm)	60	/	/	
4.4	起升高度 Lift Height	h3(mm)	3000	4500	3000	
4.5	起升时门架最大高度 Height-Mast Extended	h4(mm)	3490	5097	3506	
4.6	叉面最小离地高度 Fork Height, Lowered	h13(mm)	90			
4.7	整车长度 Overall Length	l1(mm)	2533/2071	2533/2071	2518/2056	
4.8	整车宽度 Overall Width	b1/b2(mm)	850			
4.9	货叉尺寸 Fork Dimensions	l/e/s(mm)	1150/190/56			
4.10	货叉外侧距 Fork Spread	b5(mm)	680			
4.11	直角堆垛通道宽度(托盘1000x1200)1200跨货叉方向 踏板展开/收起 Aisle Width, 1000*1200 Pallet, Crosswise, Stand Up/Down	Ast(mm)	2962/2516	2962/2516	2956/2510	
4.12	转弯半径 踏板展开/收起 Turning Radius, Stand Up/Down	Wa(mm)	2101/1655			

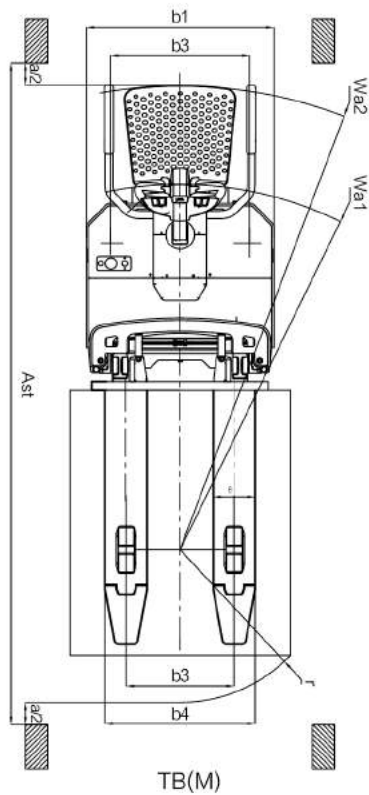
性能 Function						
5.1	行驶速度, 满/空载 Travel Speed, With/Without Load	km/h	5.0/6.0			
5.2	最大爬坡能力, 满/空载(S2-5min) Max. Climbing Ability, With/Without Load (S2-5min)	%(tanθ)	≤8/≤10	≤6/≤8	≤8/≤10	≤6/≤8

动力 Power						
6.1	驱动电机功率(S2-60min) Drive Motor Rating (S2-60 min)	kw	1.5			
6.2	起升电机功率, (S3-15%) Lift Motor Rating (S3-15%)	kw	2	3	2	
6.3	蓄电池, 电压/额定容量 Battery Voltage/Rated Capacity	V/Ah	24/210	24/280	24/210	

转向、制动 Steering、Braking						
7.1	转向系统 Steering System	电子转向 EPS				
7.2	停车制动类型	电磁 Electromagnetic				
7.3	停车制动操作方式	手把操作 Handle Operation				
7.4	驻车制动方式	电磁 Electromagnetic				

门架参数 Mast Specification								
单门架/两节/三节门架 Single/Duplex/Triplex Mast		TB(M)15						
型号 Model		TB(M)15-16	TB(M)15-25	TB(M)15-30	TB(M)15-35	TB(M)15-40	TB(M)15-45	TB(M)15-50
门架类型 Mast Type		Single	Duplex			Triplex		
起升高度 Lift Height	h3(mm)	1600	2500	3000	3500	4000	4500	5000
门架闭合高度 Height-Mast Lowered	h1(mm)	2090	1775	2025	2275	1954	2121	2288
起升时门架高度 Height-Mast Extended	h4(mm)	2090	3006	3506	4006	4597	5097	5597

门架参数 Mast Specification								
单门架/两节/三节门架 Single/Duplex/Triplex Mast		TB(M)20						
型号 Model		TB(M)20-16	TB(M)20-25	TB(M)20-30	TB(M)20-35	TB(M)20-40	TB(M)20-45	TB(M)20-50
门架类型 Mast Type		Single	Duplex			Triplex		
起升高度 Lift Height	h3(mm)	1600	2500	3000	3500	4000	4500	5000
门架闭合高度 Height-Mast Lowered	h1(mm)	2090	1775	2025	2275	1954	2121	2288
起升时门架高度 Height-Mast Extended	h4(mm)	2090	3006	3506	4006	4597	5097	5597



TB(M)

