



MIMA® Series products



Standard Configuration

- Electric Power Steering System (TEP)
- Curtis Controller
- AC Drive System
- Electromagnetic Brake
- Solid PU Wheel
- Curve Control Technology
- Hour meter (Standard for TEP)
- Electric Lift-limited (standard for TEP)
- Intelligent Charger

Optional

- Reversing buzzer
- Arm Rest(TE)
- Alarm light
- Imported battery
- High capacity battery
- Side pull battery
- Explosion-proof use
- Cold storage use
- AGV type

 **NAMI**® PT DYNAMI MAKMUR LESTARI
<http://www.nami.co.id>

Office:

Jl. Petojo Utara VII No. 13C
 Jakarta 10130
 INDONESIA
 T: +62-21-631 7818 (Hunting)
 F: +62-21-631 7819

Workshop and Warehouse:

Jl. Raya Bekasi Km 23 No. 62
 Cakung, Jakarta 13950
 INDONESIA
 T: +62-21-4682 1608 (Hunting)
 F: +62-21-4682 1049

ELECTRIC PALLET TRUCK

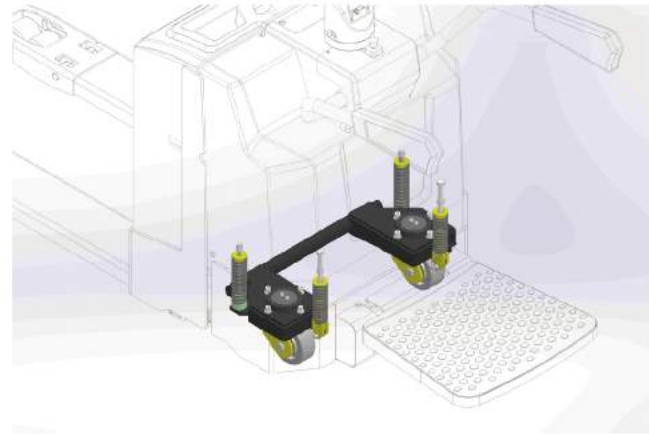
- Load Capacity: TE 2000–4000kg, TEP 2000–2500kg
- High Stability Design
- New Handle
- Electric Power Steering System(Standard for TEP)

MIMA®

VALUE (Based On High Efficient Design Concept)

High stability:

TEP:Auxiliary wheel linkage design, effectively distribute stress, induce tilt trend, decrease vehicle rollover possibility;
 Pull rod lifting design, highly delay deformation of pull rod, axle joint and others, reliable components, making vehicle more durable;
 TE/TEP:AC Vertical drive saves inner space, easy to maintain, effectively reduces the erosion of dust and humidity to motor, improve motor efficiency, more strong overload capacity.



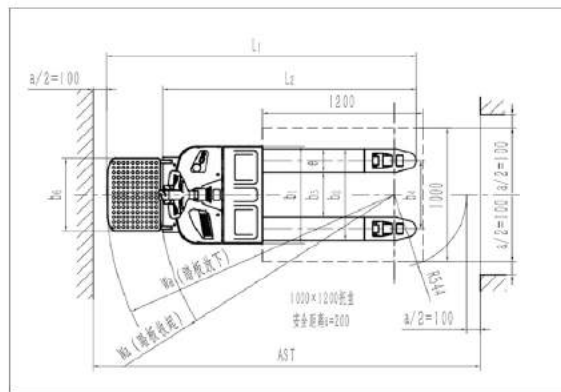
New handle:

According to ergonomic principles, optimize belly switch and other key components, based on 300000 times strengthening test, to improve the parts constantly, it's reliable and durable,making operation more convenient.

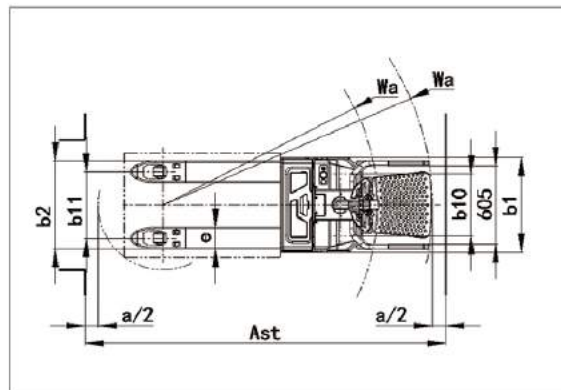
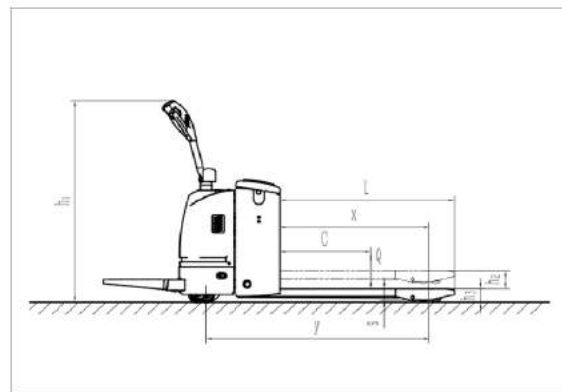
Electric power steering system (standard configuration for TEP series), with convenient steering and comfort operation .

Safety protection :

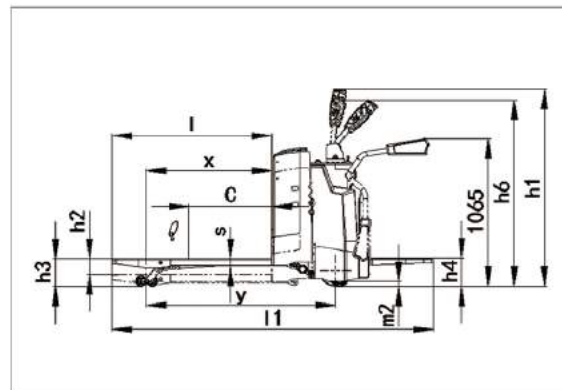
TEP: When arm rest is put down to the original position, it automatically reduces max travel speed, effectively protects the safety of operator.
 TE/TEP:Curve control technology: Curve automatic reducing speed function can effectively prevent rollover, making operation more safe.



← TE →



← TEP →



MiMA® PRODUCT SPECIFICATION

Performance						
1.1	Brand		MiMA	MiMA	MiMA	MiMA
1.2	Model		TEP25	TE25	TE30	TE40
1.3	Power Type		Battery			
1.4	Operation Type		Stand on			
1.5	Rated Capacity	Q (kg)	2500	2500	3000	4000
1.6	Load Center	C (mm)	600	600	600	600

Weight						
2.1	Service weight(incl. battery)	kg	676	630	640	660

Performance						
3.1	Tyres,front/rear		PU			
3.2	Tyre size,front	mm	Φ80×70	Φ80×70	Φ80×70	Φ80×110
3.3	Tyre size,drive wheel	mm	Φ230×75	Φ215×75	Φ215×75	Φ215×75
3.4	Tyre size,Training wheel	mm	Φ125×50	Φ100×40	Φ150×50	Φ150×50
3.5	Tyres No. front/rear (X=drive)+trainging wheel		4/1X+2	4/1X+2	4/1X+2	4/1X+2

Dimension						
4.1	Overall height	h1(mm)	1420	1330	1330	1330
4.2	Lift height	h2(mm)	120	120	120	120
4.3	Min. ground clearance of fork face	h3(mm)	85	85	85	85
4.4	Overall Length (pedal extended /closed)	l1(mm)	1850/2310	1907/2310	2002/2405	2002/2405
4.5	Overall Width	b1(mm)	730	730	850	850
4.6	Distance between fork-arms	b2(mm)	680	540/680	540/680	540/680
4.7	Fork Dimensions	l/e/s(mm)	1150/170/56	1150/175/75	1150/175/75	1150/205/75
4.8	Aisle with for pallet 1000*1200 crossways pedal closed /extended	Ast(mm)	2875/2455	2902/2495	2985/2590	2955/2560
4.9	Aisle with for pallet 1200*800 crossways pedal closed /extended	Ast(mm)	2765/2345	2805/2405	2895/2500	2870/2475
4.10	Trurning radius-Pedal closed /extended	Wa(mm)	2065/1645	2150/1750	2240/1845	2185/1790

Function						
5.1	Travel Speed ,laden/unladen	km/h	6/7.5	4.6/5.6	4.6/5.6	4.6/5.6
5.2	Max. Gradeability,laden/unladen	%(tanθ)	6/15	6/10	6/10	6/10
5.3	Brake type			Electromagnetic		

Power						
6.1	(S2-60min)Drive Motor	kw	1.5(AC)	1.5(AC)	1.5(AC)	2.5(AC)
6.2	(S3-15%)Lift motor	kw	2.2(DC)	2.2(DC)	2.0(DC)	2.0(DC)
6.3	Battery ,voltage/capacity	V/Ah	24/210	24/210	24/210	24/280
6.4	Battery weight	kg	200	200	200	250
6.5	Steering type		EPS	Mechanical		

Other						
7.1	Battery change type			Hoisting change		



TE Series (Mechanical Steering)

TEP Series (EPS)