

MIMA®米玛® 系列产品



标配
Standard Configuration

- | | |
|--------------|--------------------------------|
| • EPS电转向 | Electric Power Steering System |
| • CURTIS 控制器 | Curtis Controller |
| • AC驱动系统 | AC drive system |
| • 电磁制动 | Electromagnetic brake |
| • 实芯PU轮 | Solid PU Wheel |
| • 护翼 | Armrest |
| • 安全切断阀 | Safety shut-off valve |
| • 智能充电机 | Intelligent Charger |

选配
Optional

- | | |
|----------|-----------------------------|
| • 小时计 | Hour meter |
| • 弯道控制技术 | Curve control technology |
| • 高位限速 | High position speed limited |
| • 侧拉式电池 | Side pull battery |
| • 护顶架 | Overhead guard |
| • 进口电池 | Imported battery |
| • 倾斜功能 | Tilt Function |
| • 橡胶驱动轮 | Rubber drive wheel |
| • 倒车蜂鸣器 | Reversing buzzer |
| • 报警灯 | Alarm light |
| • 侧移器 | side shifter |
| • 货叉加长 | add fork length |
| • 机械转向 | Mechanical steering |
| • 防爆型 | Explosion-proof Use |
| • 冷库型 | Cold Storage use |
| • 无人驾驶型 | AGV Type |



Office:
Jl. Petojo Utara VII No. 13C
Jakarta 10130
INDONESIA
T: +62-21-631 7818 (Hunting)
F: +62-21-631 7819

Workshop and Warehouse:
Jl. Raya Bekasi Km 23 No. 62
Cakung, Jakarta 13950
INDONESIA
T: +62-21-4682 1608 (Hunting)
F: +62-21-4682 1049

ELECTRIC REACH TRUCK (Handle Type)
前移式叉车(舵柄式)

- | | |
|------------------|---|
| • TFA系列 1.0–2.0吨 | TFA Series, Rated Load capacity:1000–2000kg |
| • 起升高度: 1.6–5.5米 | Lift Height: 1600–5500mm |
| • 主动安全设计 | Active safety design |
| • 适用单/双面托盘 | For Single–deck/double–deck Pallet |
| • EPS电转向 | Electric Power Steering System |



注: 颜色、规格如有变动, 恕不另行通知, 订制非标产品请同当地经销商联系。
Notice: Colors And Specification Are Subject To Change Without Notice.

价值 (源于“高效作业”设计理念)

VALUE (Based On High Efficient Design Concept)

EPS电转向, 转向更加轻便, 尤其适合在拥挤窄通道作业或女性操作。

适用于单/双面托盘作业, 配备锻造货叉。



双面托盘
Doubel-deck Pallet

单面托盘
Single-deck Pallet

主动安全设计:

弯道控制技术 (选配): 弯道主动减速功能有效防止车辆转弯速度过快带来侧翻的可能性; 高位限速功能 (选配), 当货叉大于300mm时, 主动降低叉车行驶速度, 确保安全。

AC无碳刷电机, 维护时间少, 保养成本低。AC电机不仅具有高运行效率, 而且具有长运行寿命和节能性, 还能在不降低输出的情况下保持长时间运行。

Electric Power Steering System with more convenient steering, particularly for narrow aisle or women operation.

For single-deck/double-deck pallet with forging fork.

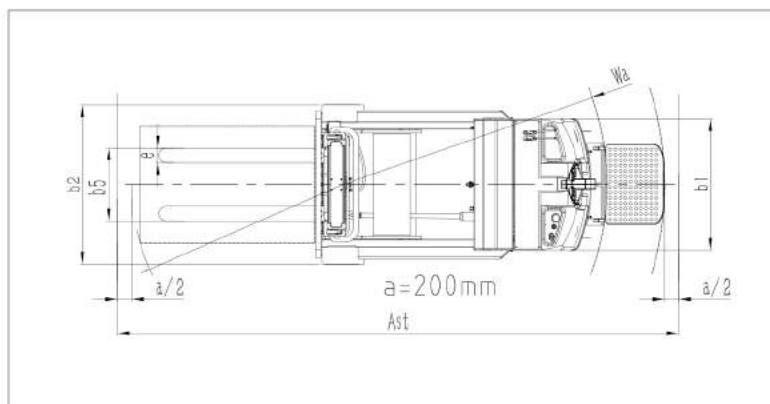
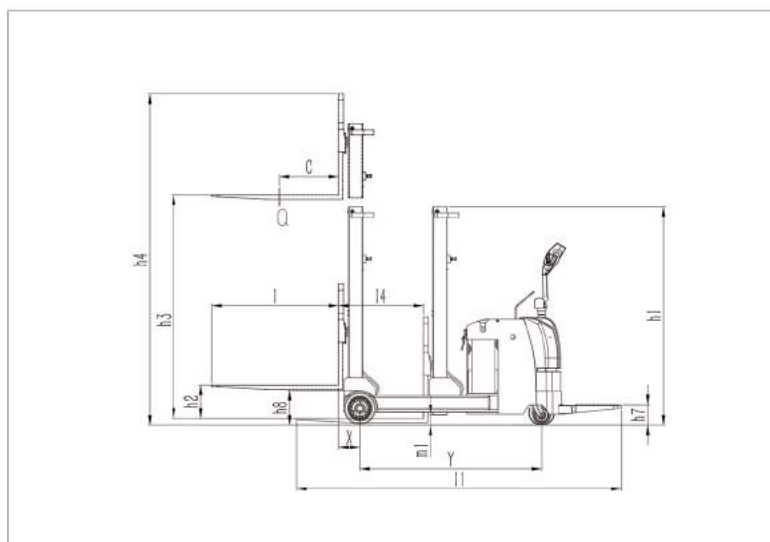
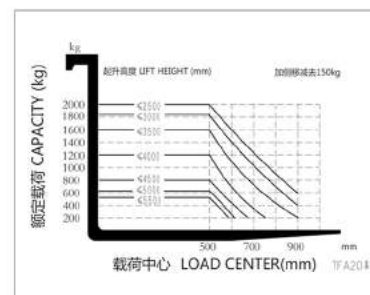
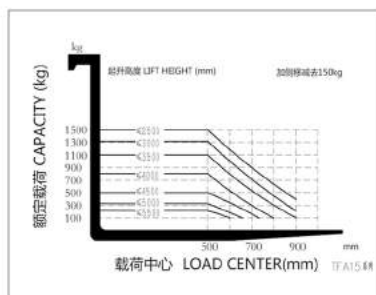
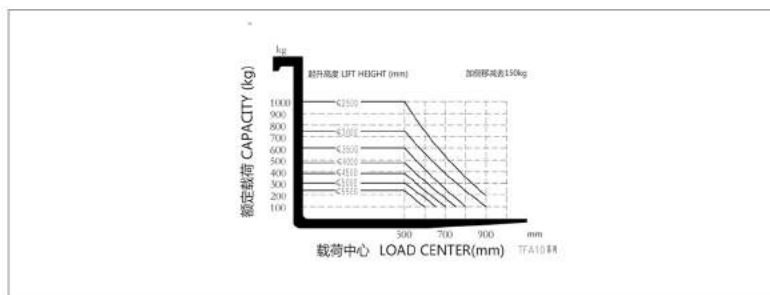
Active safe design:

Curve initiative speed reduction (optional) can highly prevent the rollover possibility of vehicle too fast turning speed; High position speed limited function (optional), when fork ground clearance is more than 300mm, initiative reducing forklift driving speed, ensure safety; Emergency cut-off valve can make sure goods to maintain in site when oil pipe cracks.

AC brushless drive motor to reduce maintenance time and cost. AC motor with high efficiency, also has better service life and energy saving, making forklift with long-time running without based on normal output.

载荷曲线图

LOAD CHART



MiMA 米玛 产品信息表

PRODUCT SPECIFICATION

规格	Standard			
品牌 Brand		MiMA	MiMA	MiMA
型号 Model		TFA10	TFA15	TFA20
动力类型 Power type		蓄电池 Battery		
操作方式 Operate type		站板式 Stand on		
额定载荷 Rated capacity	Q(kg)	1000	1500	2000
载荷中心距 Load center	C(mm)	500	500	500
轮胎、轮辋 Tyre & Rim				
轮胎类型 Wheel Type-Front/Rear		聚氨酯 PU		
轮胎规格 前轮 Front wheel	mm	φ267×114	φ267×114	φ267×114
轮胎规格 驱动轮 Drive wheel	mm	φ230×75	φ230×75	φ230×75
轮胎规格 后轮 Rear wheel	mm	φ150×50	φ150×50	φ150×50
轮胎数量, 前/后(x=驱动轮) Tyres No. -front/rear (X=Drive wheel)		2 /1X+2	2 /1X+2	2 /1X+2
尺寸 Dimension				
门架类型 Mast Type		二节门架 Duplex mast		
门架倾角 前倾/后倾 Tit of mast forward/backward	α/β(°)	/	/	/
起升高度 Lift height	h1(mm)	2500	2500	2500
自由起升高度 Free lift height	h2(mm)	/	/	/
门架闭合高度 Height of mast,lowered	h3(mm)	1837	1837	1837
起升时门架最大高度(含挡货架) Height of mast,extended(with block)	h4(mm)	3355	3355	3355
门架最小离地间隙 Min.ground of clearance of mast	h8(mm)	80	80	80
整车长度(踏板 展开/收起) Overall length(pedal extended/closed)	L1(mm)	2910/2490	3006/2586	3070/2650
整车宽度 前/后 Overall width front/rear	b1/b2(mm)	900/1090	900/1090	900/1090
货叉规格 Fork dimensions	mm	1070/100/35	1070/100/35	1070/100/40
前移距离 Reach stroke	s(mm)	550	650	700
货叉外侧距 Distance between fork-arms	b5(mm)	220~660	220~660	220~660
通道宽度(1000x1200托盘) (踏板展开/收起) Aisle width for pallet 1000*1200mm crossways pedal extended/closed	Ast(mm)	3390/2970	3505/3085	3580/3160
通道宽度(1200x800托盘) (踏板展开/收起) Aisle width for pallet 1200*800 crossways pedal extended /closed	Ast(mm)	3440/3020	3540/3120	3590/3170
转弯半径 (踏板展开/收起) Turning radius (pedal extended /closed)	Wa(mm)	2340/1920	2500/2085	2635/2215
性能 Function				
行驶速度, 满/空载 Travel speed,laden/unladen	km/h	4.0/5.8	4.0/5.8	4.0/5.8
起升速度, 满/空载 Lifting speed,laden/unladen	mm/s	70/125	70/125	75/160
最大爬坡能力, 满/空载(S2-5min) Max. Gradeability,laden/unladen (S2-5min)	%	8/10	7/10	6/9
动力 Power				
驱动电机(S2-60min) Drive motor (S2-60 min)	kw	1.5	1.5	1.5
起升电机(S3-15%) Lift motor (S3-15%)	kw	2	2	3.5
起升电机功率 (S3 15%) h1>3.5m时 Lift Motor when h1>3.5m	kw	3.5	3.5	3.5
蓄电池, 电压/容量 Battery voltage/rated capacity	V/AH	24/210	24/210	24/210
重量 Weight				
电池重量 Battery weight	kg	200	200	200
整车重量(含电池) Service weight(inkl. battery)	kg	1850	1950	2050
转向、制动 Steering、Brake				
转向类型 Steering type		电转向 EPS		
制动类型 Parking Brake model		电磁 Electromagnetic		

备注: TFA配机械转向时, 与电转向相比整车长度、转弯半径及通道分别减少50mm;
Remark:The overall length、turning radius and aisle with will minus 50mm if with mechanical steering;

单/两节门架 Single /Duplex mast	TFA10 & TFA15 & TFA20 Series						
型号 Model		TFA10-16	TFA10-25	TFA10-30	TFA10-35	TFA10-40	TFA10-45
门架类型 Mast type		单门架 Single mast		两节门架 Duplex mast			
提升高度 Lift height	h3(mm)	1600	2500	2087	2337	2612	2862
起升时门架最大高度(含挡货架) Height-Mast extended w/ backrest	h4(mm)	2455	3355	3855	4355	4855	5355
闭合门架高度 Height of mast,lowered	h1(mm)	2140	1837	2087	2337	2612	2862
自由起升高度 Free lift height	h2(mm)	/					
单/两节门架带倾斜 Single/ Duplex Mast with tilt funtion	TFA10/15/20门架倾斜 Mast tilt,front/back 3°/5°				TFA10/15/20货叉倾斜 Fork carriage tilt,front/back 3°/5°		
型号 Model		TFA10-16	TFA10S-25	TFA10S-30	TFA10S-35	TFA10-40F06	TFA10-45F06
门架类型 Mast type		单门架 Single mast	两节门架 Duplex mast				
提升高度 Lift height	h3(mm)	1600	2500	3000	3500	4000	4500
起升时门架最大高度(含挡货架) Height of mast,extended(with block)	h4(mm)	2475	3365	3865	4365	4910	5410
闭合门架高度 Height of mast,lowered	h1(mm)	2160	1917	2167	2417	2580	2830
自由起升高度 Free lift height	h2(mm)	/					
三节门架 Triplex Mast	TFA10&TFA15&TFA20 Series						
型号 Model		TFA10-35S	TFA10-40S	TFA10-45S	TFA10-50S	TFA10-55S	
门架类型 Mast type		三节门架 Triplex mast					
提升高度 Lift height	h3(mm)	3500	4000	4500	5000	5500	
起升时门架最大高度(含挡货架) Height of mast,extended(with block)	h4(mm)	4355	4855	5355	5855	6355	
闭合门架高度 Height of mast,lowered	h1(mm)	1796	1963	2130	2296	2463	
自由起升高度 Free lift height	h2(mm)	/					