

MIMA®米玛® 系列产品



标配
Standard Configuration

- | | |
|-----------------|--|
| • EPS电转向(TEP标配) | Electric Power Steering System (TEP) |
| • CURTIS 控制器 | Curtis Controller |
| • AC立式驱动系统 | AC Drive System |
| • 电磁制动 | Electromagnetic Brake |
| • 实心PU轮 | Solid PU Wheel |
| • 弯道控制技术 | Curve Control Technology |
| • 小时计(TEP标配) | Hour meter (Standard for TEP) |
| • 起升电限位(TEP标配) | Electric Lift-limited (standard for TEP) |
| • 智能充电机 | Intelligent Charger |

选配
Optional

- | | |
|----------|-----------------------|
| • 倒车蜂鸣器 | Reversing buzzer |
| • 护翼(TE) | Arm Rest(TE) |
| • 报警灯 | Alarm light |
| • 进口电池 | Imported battery |
| • 加大电池容量 | High capacity battery |
| • 侧拉式电池 | Side pull battery |
| • 防爆型 | Explosion-proof use |
| • 冷库型 | Cold storage use |
| • 无人驾驶型 | AGV type |



ELECTRIC PALLET TRUCK
全电动托盘搬运车

 **NAMI® PT DYNAMI MAKMUR LESTARI**
<http://www.nami.co.id>

Office:
Jl. Petojo Utara VII No. 13C
Jakarta 10130
INDONESIA
T: +62-21-631 7818 (Hunting)
F: +62-21-631 7819

Workshop and Warehouse:
Jl. Raya Bekasi Km 23 No. 62
Cakung, Jakarta 13950
INDONESIA
T: +62-21-4682 1608 (Hunting)
F: +62-21-4682 1049

- TEP20-25系列
- 高稳定性设计
- 全新手柄
- EPS电转向

Load Capacity: TEP 2000-2500kg
High Stability Design
New Handle
Electric Power Steering System

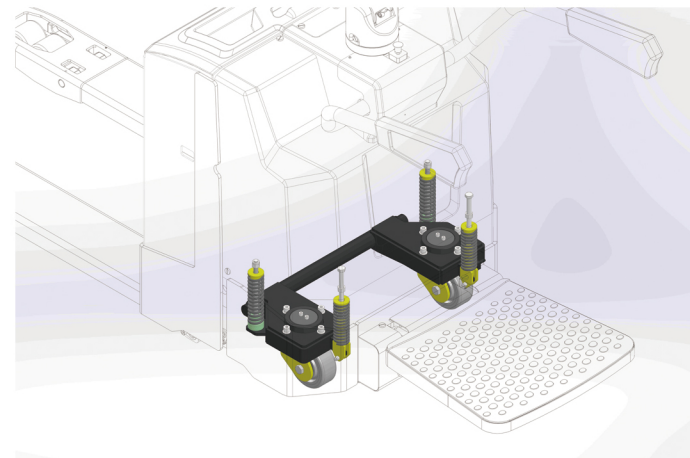
MIMA®米玛®

价值 (源于“高效作业”设计理念)

VALUE (Based On High Efficient Design Concept)

高稳定性:

TEP:辅助轮联动设计,有效分配受力,感应转弯趋势,降低车辆倾翻率;
 拉杆式提升设计,大大延缓拉杆、轴关节等变形量,部件可靠、耐用;
 TE/TEP:AC交流立式驱动,可有效减少灰尘、潮气对电机的侵蚀,电机效率高,驱动承载能力强。



全新手柄:

根据人机工程学原理,优化肚皮开关等关键零部件,依托于30万次的强化试验,不断优化部件可靠耐用性,让操作者更舒适安心。

EPS电转向

转向更加便捷,操作舒适。

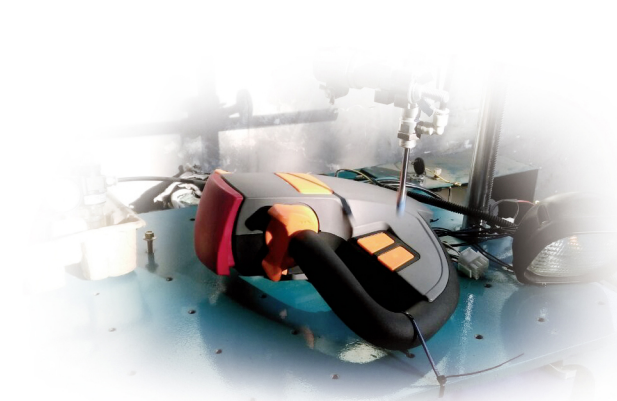
安全保护:

TEP:当护翼放下时,主动降低最大行驶速度,有效保护操作人员安全;
 TE/TEP:弯道控制技术:弯道自动减速功能有效防止侧翻,操作更安全。

High stability:

TEP:Auxiliary wheel linkage design, effectively distribute stress, induce tilt trend, decrease vehicle rollover possibility;
 Pull rod lifting design, highly delay deformation of pull rod, axle joint and others, reliable components, making vehicle more durable;
 TE/TEP:AC Vertical drive saves inner space, easy to maintain, effectively reduces the erosion of dust and humidity to motor, improve motor efficiency, more strong overload capacity.

New handle: According to ergonomic principles, optimize belly switch and other key components, based on 300000 times strengthening test, to improve the parts constantly, it's reliable and durable, making operation more convenient.



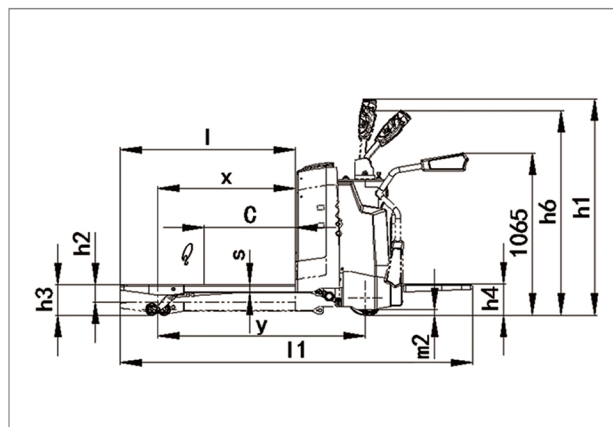
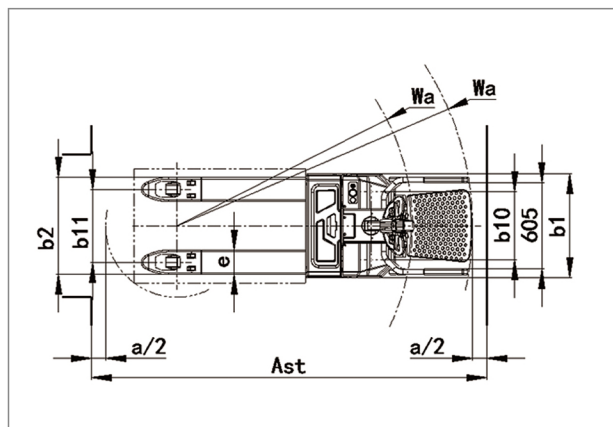
Electric power steering system (standard configuration for TEP series), with convenient steering and comfort operation.

Safety protection:

TEP: When arm rest is put down to the original position, it automatically reduces max travel speed, effectively protects the safety of operator.
 TE/TEP:Curve control technology: Curve automatic reducing speed function can effectively prevent rollover, making operation more safe.

MIMA®米玛® 产品信息表 PRODUCT SPECIFICATION

特性		Performance		
1.1	制造厂商 Manufacture		MiMA	MiMA
1.2	系列号 Model		TE25	TE20
1.3	动力类型 Power		蓄电池	蓄电池
1.4	驾驶方式 Operation Type		站板式	站板式
1.5	额定载荷 Load Capacity	Q(kg)	2500	2000
1.6	载荷中心距 Load Center	C(mm)	600	600
重量		Weight		
2.1	整车重量 (含电池) Service weight(with battery)	kg	676	676
车轮		Tyre&Rim		
3.1	轮胎类型, 承重轮/驱动轮/辅助轮 Tyre,operator/load side		聚氨酯	聚氨酯
3.2	轮胎尺寸, 承重轮 Tyre size,load	mm	Φ80×70	Φ80×70
3.3	轮胎尺寸, 驱动轮 Tyre size,drive	mm	Φ230×75	Φ230×75
3.4	轮胎尺寸, 辅助轮 Auxiliary wheel size	mm	Φ125×50	Φ125×50
3.5	车轮数量 承重轮/驱动轮(x=驱动轮)+辅助轮Wheels number,load/drive(x=driven)+Auxiliary		4/1X+2	4/1X+2
尺寸		Dimension		
4.1	整车高度 Overall height	h1(mm)	1420	1420
4.2	起升高度 Lift height	h2(mm)	120	120
4.3	叉面最小离地高度 Fork height,lowered	h3(mm)	85	85
4.4	整车长度 踏板 收起/展开 Overall length,stand up/down	l1(mm)	1850/2310	1850/2310
4.5	整车宽度 Overall width	b1(mm)	730	730
4.6	货叉外侧距 Fork spread	b2(mm)	680	680
4.7	货叉尺寸 Fork dimensions	l/e/s(mm)	1150/170/56	1150/170/56
4.8	车身离地间隙 Ground clearance,centre of wheelbase	m2(mm)	35	35
4.9	直角堆垛通道宽度(托盘1000x1200)1200跨货叉方向 踏板展开/收起 Aisle width,1000X1200 pallet,crosswise,stand up/down	Ast(mm)	2875/2455	2875/2455
4.10	直角堆垛通道宽度(托盘800x1200)1200沿货叉方向 踏板展开/收起 Aisle width,800X1200 pallet,lengthwise,stand up/down	Ast(mm)	2765/2345	2765/2345
4.11	转弯半径 踏板 展开/收起 Turning radius,stand up/down	Wa(mm)	2065/1645	2065/1645
性能		Function		
5.1	行驶速度, 满/空载 Travel speed,with/without load	km/h	6/7.5	6/7.5
5.2	最大爬坡能力, 满/空载(S2-5min)Max. climbing ability,with/without load(S2-5min)	%(tan θ)	6/15	6/15
5.3	制动方式 Service brake		电磁	电磁
驱动		Power		
6.1	驱动电机功率(S2-60min) Drive motor rating(S2-60 min)	kw	1.5(AC)	1.5(AC)
6.2	起升电机功率, (S3-15%) Lift motor rating(S3-15%)	kw	2.2(DC)	2.2(DC)
6.3	蓄电池, 电压/额定容量 Battery voltage/rated capacity	V/Ah	24/210	24/210
6.4	电池重量 Battery weight	kg	200	200
6.5	转向系统 Steering System		纯电	纯电
6.6	电池更换方式 Battery replaces		吊取式	吊取式



TEP Series (标配电转向/EPS)