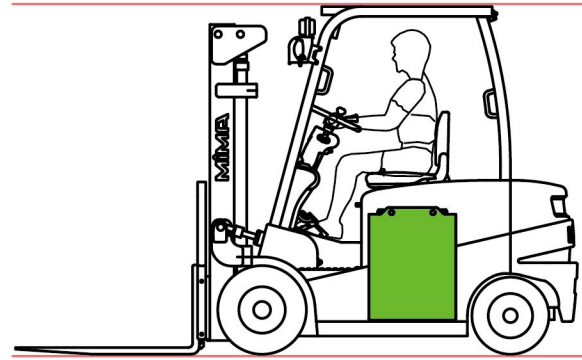


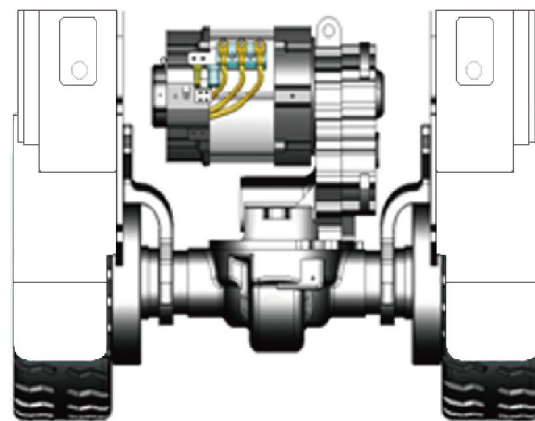
VALUE (Based On High Efficient Design Concept)



The design of lower center of gravity solve 2 difficult problems in safe and high efficient working,transverse driver releases the space for battery to let the forklift with lower center of gravity,it' s improve the safety during the working.

High efficient spur gears of transverse drive model can play a higher level of energy efficiency,energy loss reduce 25% compared with vertical drive model,it' s can improve more working time and satisfy the normal requirements.

AC brushless drive motor to reduce the maintenance time and cost.AC drive motor with high efficiency,better service life and energy saving,to make the forklift with long-time running based on normal output.



Ramps Auxiliary Brake System

NOT SLIDING DOWN



MIMA® Series products



Standard Configuration

- CURTIS controller
- AC Drive system
- Pneumatic wheel
- Adjustable steering wheel
- Automatic temperature control system
- Ramps Auxilliary Brake System
- Safety shut-off valve
- LED warning lamp
- LED headlamp
- High capacity battery
- Intelligent charger

Optional

- Domestic controller
- Suspension seat
- Solid wheel
- Non-marking wheel
- Side take battery
- Operator presence system
- Side shifter
- Paper roll clamp and other attachments
- Cold storage use
- Explosion-proof use

Agent/Distributor

BANYITONG SCIENCE & TECHNOLOGY DEVELOPING CO.,LTD.

www.mimaforklift.com

Unified Service Telephone: 4006-526-926
Address: Crossing of Daihe Road and Cailun Road , Xinzhan District, Hefei, China



ELECTRIC FORKLIFT TRUCK

- TK Series Load capacity 1500-5000 Kg
- Lift Height:3000-6000mm
- The design of low center of gravity
- Long battery working time
- The design of shaping vehicle



