

Standard					
1.1	Brand	Unit	MiMA	MiMA	MiMA
1.2	Model		TG30	TG40	TG60
1.3	Power type		Electric	Electric	
1.4	Operate type		Stand-on	Seated type	
1.5	Loading capacity	Q(kg)	3000	4000	6000
Tire, Rim					
2.1	Wheel type front/rear		Solid rubber	Front wheel/solid rubber rear wheel/pneumatic wheel	
2.2	Front wheel	(mm)	φ215×75	4.00-8	
2.3	Rear wheel	(mm)	Φ156×60	4.00-8/6PR	
2.4	Wheel quantity		1X/2	1/2X	
Dimension					
3.1	Overall height	h3(mm)	1340	1320	
3.2	Body minimum ground clearance	h8(mm)	50	140	
3.3	Hook center ground clearance	h10(mm)	140-240	210/275/340/405	
3.4	Overall length	l1(mm)	1300	1790	
3.5	Overall width	b1/b2(mm)	850	990	
3.6	Turning radius	Wa(mm)	1160	1650	
Function					
4.1	Driving speed (load/unload)	km/h	4/6.7	7/12	
4.2	Max traction	N	2300	4000	4500
Power					
5.1	Driving motor	kw	AC1.5	AC3.0	AC4.5
5.2	Battery voltage/capacity	V/Ah	24/210	24/490	48/280
Weight					
6.1	Battery weight	kg	~200	~390	~475
6.2	Total weight(with battery)	kg	~550	~920	~1000
Steering, Braking					
7.1	Steering type		Mechanical	Mechanical	Electric Power Assisted
7.2	Parking brake model		Electromagnetic	Hand brake	

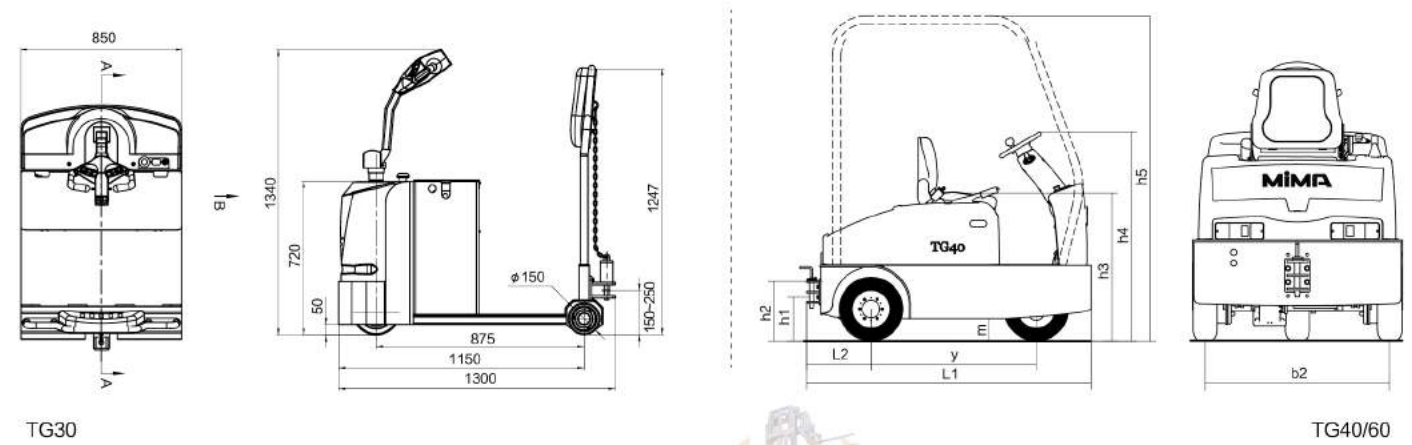


## ELECTRIC TOW TRACTOR

- TG30/TG40/TG60 Series  
Load Capacity: 3T, 4T And 6T

- Mini Body Design
- New Handle Design (TG30)
- Three-point Structure, Strong Stability

 **NAMI**® PT DYNAMI MAKMUR LESTARI  
<http://www.nami.co.id>



NOTICE: Colors and specifications are subject to change without notice.

Banyitong Science And Technology Developing Co., Ltd./ all Right Reserved M20170410 TG Ver.

**Office:**  
Jl. Petojo Utara VII No. 13C  
Jakarta 10130  
INDONESIA  
T: +62-21-631 7818 (Hunting)  
F: +62-21-631 7819

**Workshop and Warehouse:**  
Jl. Raya Bekasi Km 23 No. 62  
Cakung, Jakarta 13950  
INDONESIA  
T: +62-21-4682 1608 (Hunting)  
F: +62-21-4682 1049



# 蓄电池牵引车 TG40/60 A Series Electric Tow Tractor



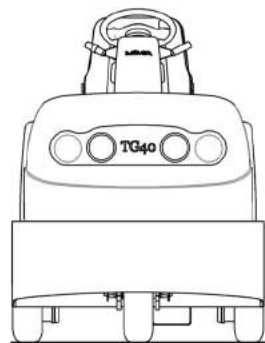
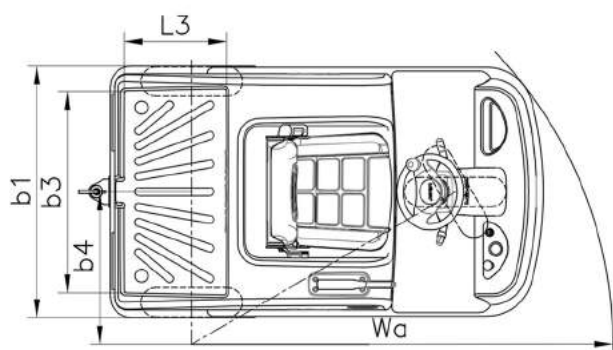
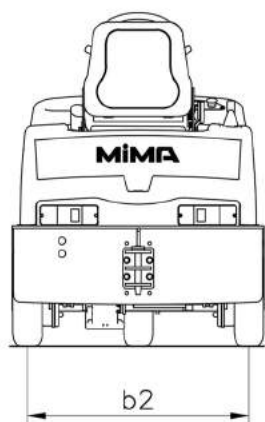
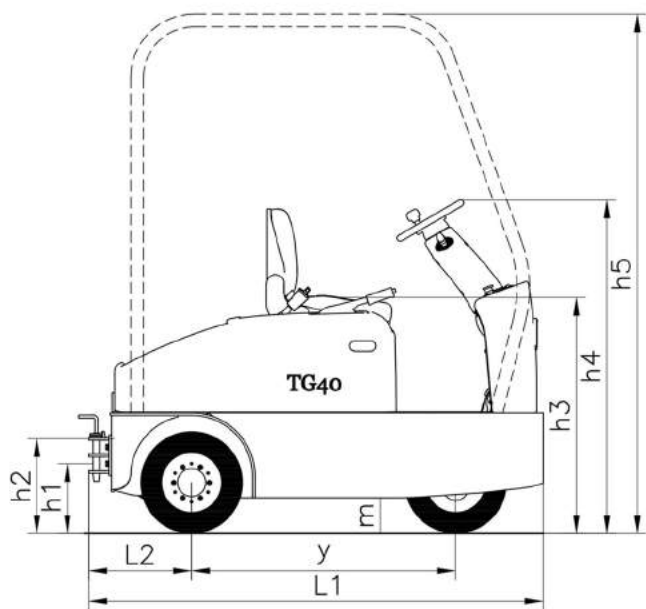
- 三支点结构
- AC驱动
- 多款电池选配方案
- 机械转向/电助力转向
- 寸进点动开关

- Three pivot structure
- AC Driver
- Different battery power options
- Meclu steering/EPS
- Mirco switch

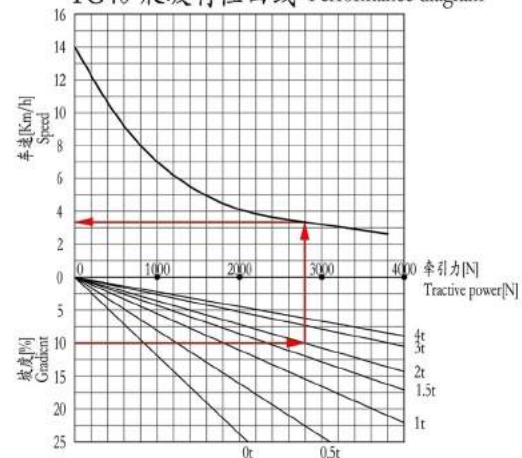


- 简约大方的外观设计
- 大容量外部储物格及内部储物格
- 舒适的操纵性
- 更多可选配置

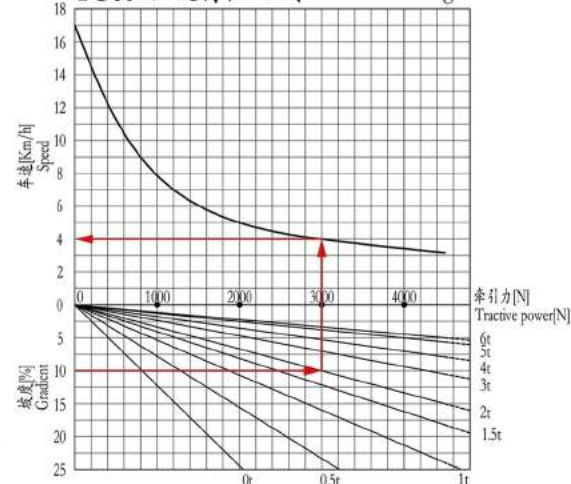
- Simple and elegant overview design
- Big Inner/outer space for storage
- Comfortable operation
- More options



TG40 爬坡特性曲线 Performance diagram



TG60 爬坡特性曲线 Performance diagram



基本参数 Characteristics	Manufacturer		合肥搬易通 MiMA® 米玛®		
	Model designation		TG40(24V)	TG60(48V)	
1.1 品牌	Manufacturer		合肥搬易通 MiMA® 米玛®		
1.2 产品型号	Model designation		TG40(24V)	TG60(48V)	
1.3 动力类型	Power unit		蓄电池 Battery	蓄电池 Battery	
1.4 操作方式	Operation		坐驾式 Seated	坐驾式 Seated	
1.5 运载能力	Load capacity	Q t	4.0 <sup>1)</sup>	6.0 <sup>1)</sup>	
1.6 额定牵引力	Rated drawbar pull	F N	800 <sup>1)</sup>	1200 <sup>1)</sup>	
1.7 轴距	Wheelbase	y mm	1040	1040	
重量 Weight	2.1 整车整备质量	Service weight	Kg	920	1000
	2.1 空载轮载 前轮/后轮	Axle load without load, front/rear	Kg	365/555	410/590
车轮与轮胎 Wheels and tyres	3.1 轮胎类型	Tyres, front/rear		实心橡胶/充气橡胶	实心橡胶/充气橡胶
	3.2 轮胎规格 前轮	Tyre size, front		4.00-8	4.00-8
	3.3 轮胎规格 后轮	Tyre size, rear		4.00-8/6PR	4.00-8/6PR
	3.4 车轮数量 前轮/后轮 (x=驱动)	Wheels, number front/rear (x = driven)		1/2x	1/2x
	3.5 轮距 前轮/后轮	Track width, front/rear	b2 mm	0/870	0/870
尺寸 Dimensions	4.1 总高度 (含顶棚)	Height of overhead guard/cabin	h5 mm	2045	2045
	4.2 座椅高度	Height of seat/stand-on platform	h3 mm	895	895
	4.3 挂钩中心离地高度	Towing coupling height	h1 mm	210/275/340/405	210/275/340/405
	4.4 载货平台离地高度	PLatform height, without load	h2 mm	610	610
	4.5 载货平台长度	Loading platform, length	b3 mm	790	790
	4.6 后悬距	Rear overhang	L2 mm	405	405
	4.7 载货平台宽度	Loading platform, width	L3 mm	390	390
	4.8 总长	Overall length	L1 mm	1790	1790
	4.9 总宽	Overall width	b1 mm	990	990
	4.10 车身最小离地距离	Ground clearance, centre of wheelbase	m mm	140	140
	4.11 最小转弯半径	Turning radius	Wa mm	1650	1650
	4.12 最小回转中心距车体距离	Minimum pivoting point distance	b4 mm	600	600
驱动与其他 Drive & Other	5.1 车速	Travel speed, without load	Km/h	8/14	7/17
	5.2 五分钟最大牵引力	Maximum tractive force, without load, 5 minute rating	N	3800	4500
	5.3 爬坡能力	Climbing ability with/without load	%	见爬坡曲线图 See graph	
	5.4 制动方式	Service brake		液压制动/再生制动	Hydraulic/electric
	5.5 电机功率	Drive motor, 60 minute rating	Kw	3	4.5
	5.6 蓄电池容量	Battery voltage/rated capacity (5h)	V/Ah	24/490	48/280
	5.7 蓄电池重量	Battery weight	Kg	390	475
	5.8 可选配电池容量	Optional battery capacity	Ah	350	350
	5.9 行走控制方式	Type of drive control		电子/无极调速 Electronic/stepless	
	5.10 耳旁噪声	Noise level at operator's ear	dB	66	66

<sup>1)</sup> 按照200N/t标准计量额定牵引力;  
for a rolling resistance of 200N/t on the level, for driving on gradients as the performance diagram;  
注: 规格如有变动, 恕不另行通知; 如需定制特殊规格产品, 请咨询当地经销商。  
NOTICE: specifications are subject to change without notice.

- |      |                                   |                                   |
|------|-----------------------------------|-----------------------------------|
| 产品型号 | TG40 <input type="checkbox"/>     | TG60 <input type="checkbox"/>     |
| 电池规格 | 24V350Ah <input type="checkbox"/> | 24V490Ah <input type="checkbox"/> |
|      | 48V280Ah <input type="checkbox"/> | 48V350Ah <input type="checkbox"/> |
| 驾驶室  | 无 <input type="checkbox"/>        | 顶棚 <input type="checkbox"/>       |
| 后轮   | 充气胎 <input type="checkbox"/>      | 实心胎 <input type="checkbox"/>      |
| 冷库使用 | 否 <input type="checkbox"/>        | 是 <input type="checkbox"/>        |
| 防爆处理 | 否 <input type="checkbox"/>        | 是 <input type="checkbox"/>        |



合肥搬易通科技发展有限公司  
BANYITONG SCIENCE & TECHNOLOGY DEVELOPING CO.,LTD.  
www.mimachina.com mima@mimachina.com  
电话 Phone: 4006-526-926、0086-551-62113853  
传真 Fax: 0086-551-62113877 DATE 2015/10

其他: