

Standard				
1.1	Brand		MiMA	MiMA
1.2	Model		TE15B	TE20W
1.3	Power Type		Battery	Battery
1.4	Operation Type		Pedestrian	Pedestrian
1.5	Rated Capacity	Q(kg)	1500	2000
1.6	Load center	C(mm)	600	600
Weights				
2.1	Service weight(incl. battery)	kg	200	400
Tyres				
3.1	Tyres,front/rear		PU	PU
3.2	Front tyre size	mm	φ78×70	φ78×70
3.3	Drive tyre size	mm	φ210×70	φ210×70
3.4	Wheels No. front/rear (X=drive)		4 /1x	4 /1x +2
Dimensions				
4.1	Lift height	h3(mm)	110	115
4.2	Min. height of fork	h13(mm)	85	85
4.3	Overall length	L1(mm)	1725	1700
4.4	Overall width	b1(mm)	684	730
4.5	Fork dimensions	l/e/s(mm)	1150*150*71	1150*150*45
4.6	Outer distance between forks	b5(mm)	680	680
4.7	Aisle width for pallet 1000*1200mm crossways	Ast(mm)	2300	2338
4.8	Turning radius	Wa(mm)	1453	1535
Function				
5.1	Travel speed,laden/unladen	km/h	3.6/4.1	3.6/3.7
5.2	Gradeability,laden/unladen	%	3/10	3/10
5.3	Brake Type		Electromagnetic	Electromagnetic
Drive				
6.1	(S2-60min) Drive motor	kw	0.75(DC)	0.75(DC)
6.2	(S3-15%)Lift motor	kw	0.8(DC)	0.8(DC)
6.3	Battery voltage/rated capacity	V/Ah	24/80	24/100
6.4	Battery weight	kg	50	70
6.5	Steering System		Mechanical	Mechanical



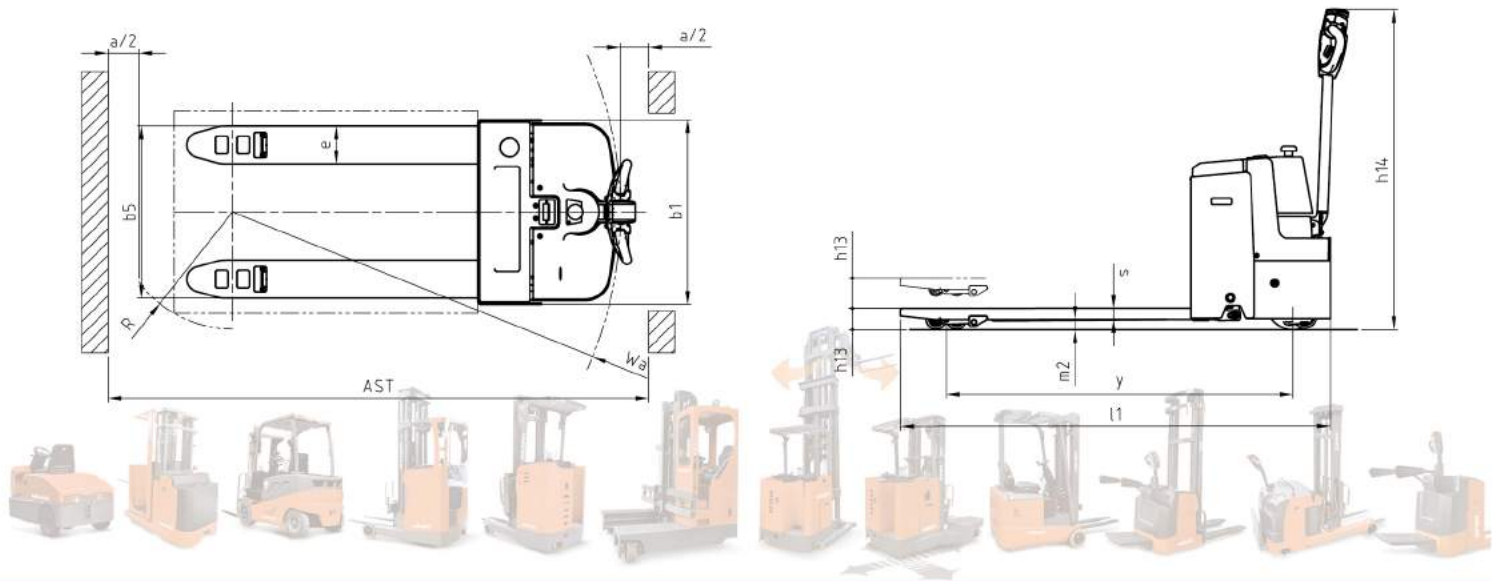
ELECTRIC PALLET TRUCK (PEDESTRIAN TYPE)

- TE15B/TE20W
- Load Capacity:1500kg,2000kg
- Mini Body Design
- High Cost Performance
- Five-point Structure,Strong Stability

NAMI® PT DYNAMI MAKMUR LESTARI
<http://www.nami.co.id>

Office:
 Jl. Petojo Utara VII No. 13C
 Jakarta 10130
 INDONESIA
 T: +62-21-631 7818 (Hunting)
 F: +62-21-631 7819

Workshop and Warehouse:
 Jl. Raya Bekasi Km 23 No. 62
 Cakung, Jakarta 13950
 INDONESIA
 T: +62-21-4682 1608 (Hunting)
 F: +62-21-4682 1049



NOTICE: Colors and specifications are subject to change without notice.

Banyitong Science And Technology Developing Co., Ltd./ all Right Reserved M20170410 TE15B Ver.